

0~10,000 SLM Digital Mass Flow Meter / Controller

HFM-D-306B MASS FLOW METER / HFC-D-308B MASS FLOW CONTROLLER

High Flow



Digital HFM 306B / HFC 308B 는 Teledyne Hastings 사의 300 시리즈 센서를 사용합니다. 0~2,500 slm 부터 0~10,000 slm(N₂) 구간에서 높은 정확도 $\pm(0.5\% \text{ Rd} + 0.2\% \text{ F.S})$ 를 구현합니다. 전면부의 컬러 터치 스크린 디스플레이로 유량을 측정 및 제어 할 수 있습니다. 24 VDC Jack 에 간단히 전원만 공급하면, 가스 유량의 측정 및 제어가 가능합니다. Power Supply 및 Display 장치, Lead Line 등이 필요없이 단일 제품만으로도 사용이 가능합니다. Data Logging Software 를 기본 제공해 드립니다.

Features (특징)

- Range 0~2,500 slm to 0~10,000 slm (N₂ Equivalent)
- Touchscreen Display /Control Option
- RS 232 / RS 485
- Self-diagnostic Status LEDs
- Auto-Zero (HFC-D-308 Controller Only)
- Totalized Flow
- Enhanced Accuracy and Digital Features
- Superior Linearity
- Rapid setting Time
- Operating Pressures to 300 psi
- NIST Traceable Calibration

Applications and Industries (응용 분야)

- Alternate Energy
- Fuel Cell R&D
- Secondary Calibration Reference
- Specialty Gas Delivery
- Custody Transfer

Flow Unit (유량 단위)

- 기준 STP : 0°C & 760 Torr / N₂
- SLM 2,500 ~ 10,000
 - SCFM 88.29 ~ 353.15
 - Kg/Hr 187.48 ~ 749.9
 - SM3/H 150 ~ 600
 - Mole/Min 111.54 ~ 446.15

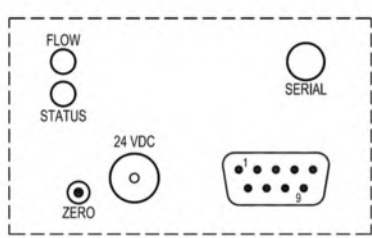
Specifications

HFM-D-306B (Meter)

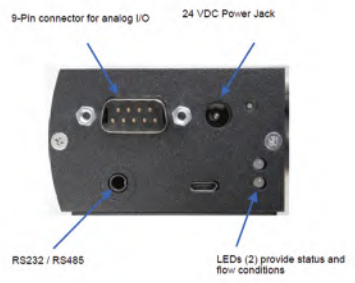
HFC-D-308B (Controller)

	HFM-D-306B (Meter)	HFC-D-308B (Controller)
Range	2,500 to 10,000 slm (N ₂)	2,500 to 10,000 slm (N ₂)
Accuracy	$\pm(0.5\% \text{ reading} + 0.2\% \text{ of full scale})$	$\pm(0.5\% \text{ reading} + 0.2\% \text{ of full scale})$
Repeatability	$\pm 0.15\% \text{ of F.S}$	$\pm 0.15\% \text{ of F.S}$
Maximum Working Pressure	300 psig	300 psig
Operating Temperature	-20~70°C	-20~70°C
Warm up time	30 min for optimum accuracy	30 min for optimum accuracy
	2min for $\pm 5\%$ of full scale	2min for $\pm 5\%$ of full scale
Temperature Coefficient of Zero	$< \pm 0.2\% / ^\circ\text{C}$ of full scale max (-20~70°C)	N/A for controller with Auto-Zero enabled
Temperature Coefficient of Span	$< \pm 0.1\% / ^\circ\text{C}$ of reading max (-20~70°C)	$< \pm 0.1\% / ^\circ\text{C}$ of reading max (-20~70°C)
Voltage	11~36 VDC ($\pm 12, \pm 15$ acceptable)	11~36 VDC ($\pm 12, \pm 15$ acceptable)
		15 VDC min. for 0~20 & 4~20 mA
Power "B" Series	4.6 Watt	8.2 Watt
Weight (approx.)	29 lb (13.1kg)	37 lb. (16.8kg)
Wetted Materials	316 SS, 302 SS, Ni 200, PTFE	316 SS, 302 SS, Ni 200, Kalrez, PTFE
	Viton® (Optional Buna-N®)	Viton® (Optional Buna-N®)

Pin Map

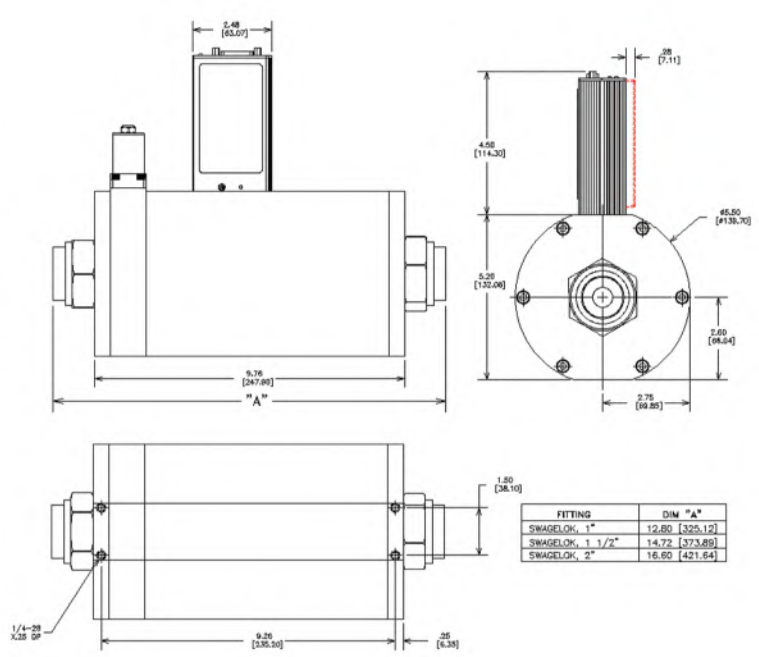
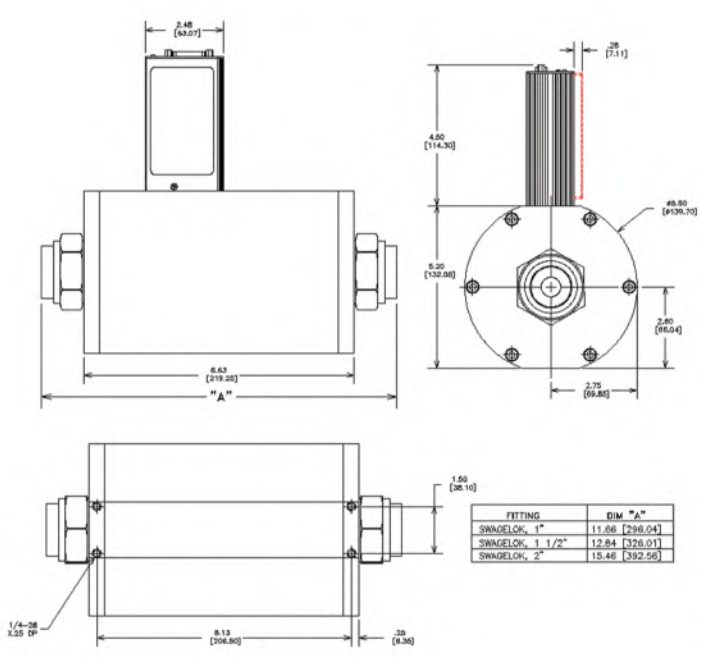


Pin #	
1	External Input
2	Signal Output
3	Set point Input
4	Power Common
5	NC
6	Valve Override
7	24V Power
8	Signal Common
9	Ground



Outline Drawings - HFM-D-306B

Outline Drawings - HFC-D-308B



Selection chart

