

TELEDYNE HASTINGS INSTRUMENTS



INSTRUCTION MANUAL

201/203/205/207 SERIES
FLOW METERS/CONTROLLERS



 **TELEDYNE**
HASTINGS INSTRUMENTS
A Teledyne Technologies Company



ISO 9001
CERTIFIED

Manual Print History

The print history shown below lists the printing dates of all revisions and addenda created for this manual. The revision level letter increases alphabetically as the manual undergoes subsequent updates. Addenda, which are released between revisions, contain important change information that the user should incorporate immediately into the manual. Addenda are numbered sequentially. When a new revision is created, all addenda associated with the previous revision of the manual are incorporated into the new revision of the manual. Each new revision includes a revised copy of this print history page.

Revision B (Document Number 141-1199)	November 1999
Revision C (Document Number 141-102002)	October 2002
Revision D (Document Number 141-082005)	August 2005
Revision E (Document Number 141-062008)	June 2008
Revision F (Document Number 141-092008)	September 2008
Revision G (Document Number 141-022009)	February 2009
Revision H (Document Number 141-102009)	October 2009
Revision J (Document Number 141-102009A)	October 2009
Revision K (Document Number 141-082010)	August 2010
Revision L (Document Number 141-072011)	July 2011



Visit www.teledyne-hi.com for WEEE disposal guidance.



CAUTION:

The instruments described in this manual are available with multiple pin-outs. Ensure that all electrical connections are correct.



CAUTION:

The instruments described in this manual are designed for INDOOR use only.



CAUTION:

The instruments described in this manual are designed for Class 2 installations in accordance with IPC standards

Hastings Instruments reserves the right to change or modify the design of its equipment without any obligation to provide notification of change or intent to change.

Table of Contents

1. GENERAL INFORMATION.....	4
1.1. FEATURES	4
1.2. SPECIFICATIONS HFM-201/205	5
1.3. SPECIFICATIONS HFC-203/207	5
1.4. OPTIONAL 4 - 20 MA CURRENT OUTPUT	6
1.5. OTHER ACCESSORIES.....	6
2. INSTALLATION AND OPERATION.....	8
2.1. RECEIVING INSPECTION	8
2.2. POWER REQUIREMENTS	8
2.3. OUTPUT SIGNAL.....	8
2.4. MECHANICAL CONNECTIONS.....	9
2.5. ELECTRICAL CONNECTIONS.....	9
2.6. OPERATION	10
2.7. RANGE CHANGING:.....	14
2.8. VALVE-OVERRIDE CONTROL.....	14
3. THEORY OF OPERATION	15
3.1. OVERALL FUNCTIONAL DESCRIPTION:	15
3.2. SENSOR:.....	15
3.3. ELECTRONICS:	15
3.4. SHUNT:	16
3.5. VALVE:	17
4. MAINTENANCE.....	18
4.1. AUTHORIZED MAINTENANCE.....	18
4.2. TROUBLESHOOTING	18
4.3. ADJUSTMENTS	19
4.4. END CAP REMOVAL:	20
4.5. PRINTED CIRCUIT BOARD REPLACEMENT	20
4.6. SENSOR REPLACEMENT:	20
4.7. ORIFICE CHANGES:	20
5. WARRANTY	23
5.1. WARRANTY REPAIR POLICY	23
5.2. NON-WARRANTY REPAIR POLICY	23

The Hastings HFM-201/HFM-205/HFC-203/HFC-207 series Mass flow meters (HFM-201/HFM-205) and controllers (HFC-203/HFC-207) are designed to accurately measure and control mass flow over the range of 30 slm to 2500 slm, without corrections or compensations for gas pressure and temperature with an accuracy of better than $\pm 1\%$ from the mean ($\pm 2\%$ FS for 201/203 units in the $\frac{1}{2}$ " fitting size base with flows >500 slm). Hastings mass flow instruments do not require any periodic maintenance under normal operating conditions with clean gases. No damage will occur from the use of moderate overpressures (~ 500 psi/3.45 MPa) or overflows. Instruments are normally calibrated with the appropriate standard calibration gas (nitrogen) then a correction factor is used to adjust the output for the intended gas. Special calibrations for other gases, such as oxygen, helium and argon, are available upon special order.

1.1. Features

- **LINEAR BY DESIGN.** The Hastings 200 series flow instrument is inherently linear (no linearization circuitry is employed). Should recalibration in the field be desired (a calibration standard is required), the customer needs to simply set the zero and span points. There will be no appreciable linearity change of the instrument when the flowing gas is changed.
- **MODULAR SENSOR.** The Hastings 200 series flow instrument incorporates a removable/replaceable sensor module. Field repairs to units can be achieved with a minimum of production line downtime.
- **METER SETTling TIME.** Changes in flow rate for the HFM-201/HFM-205 are detected in less than 2 seconds when using the speed up circuitry.
- **LOW TEMPERATURE DRIFT.** The temperature coefficient of span for the Hastings 200 series flow instrument is typically less than 0.05% of full scale/ $^{\circ}$ C from 15° - 45° C. The temperature coefficient of zero is typically less than 0.1% of reading/ $^{\circ}$ C from 0° - 50° C.
- **FIELD RANGEABLE.** The HFM-201/HFC-203 series is available in ranges from 30 slm to 1100 slm. The HFM-205/HFC-207 series is available in ranges from 1000 slm to 3000 slm. For HFC-203 & HFC-207 controllers, an orifice change is required as well. Calibration is required after all changes.
- **CURRENT LOOP.** The 4 - 20 mA option gives the user the advantages of a current loop output to minimize environmental noise pickup.

1.2. Specifications HFM-201/205

Accuracy ¹ and Linearity	±1% F.S.
Repeatability	±0.05% F.S.
Standard Pressure Rating	500 psig
Pressure Coefficient	+0.0067%/psi (0 - 1000 psig N ₂) typical
High-Pressure Option	Proof tested to 1500 psig
Leak Integrity	< 1x10 ⁻⁹ sccs
Temperature Coefficient	Zero: ±0.035% FS/° C (0° - 60° C) Span: ±0.05% FS/° C (0° - 60° C)
STP	0° C and 760 Torr
Power (±15 Volt flow meter)	±(14 - 16) VDC @ ±30 mA (< 1 Watt)
Power (24 Volt flow meter)	(14 - 32) VDC < 1.9 Watts
Flow Signal	(inherently linear) 0 - 5.00 VDC, 0 - 20 mA or 4 - 20 mA
Wetted Material ²	302 SS, 316 SS, Viton®, 82/18 Au/Ni Braze, Ni 200, Trace Silver Solder
Connector	15-pin subminiature D (9 pin for 24 Volt)
Fittings	½-in. Swagelok® - 201/203 small, ¾-in. Swagelok® - 201/203 large, 1" Swagelok® - 205/207
Weight (approx.)	201L: 3.55 lb (1610 g), 201H: 3.25 lb (1470g), 205: 8.1 lb (3650 g)

1.3. Specifications HFC-203/207

Accuracy ¹ and Linearity	±1% F.S.
Repeatability	±0.05% F.S.
Std. Pressure Rating	500 psig
High Pressure Option	Proof tested to 1500 psig
Pressure Coefficient	+0.0067%/psi (0 - 1000 psig N ₂) typical
Control Valve DP*	Per customer order
Leak Integrity	< 1x10 ⁻⁹ sccs
Temperature Coefficient	Zero: ±0.035% FS/° C (0° - 60° C) Span: ±0.05% FS/° C (0° - 60° C)
STP	0° C and 760 Torr
Power (±15 Volt flow meter)	±(14 - 16) VDC @ ±30 mA (< 1 Watt)
Power (24 Volt flow meter)	(14 - 32) VDC < 1.9 Watts
Flow Signal	(inherently linear) 0 - 5.00 VDC or 4 - 20 mA
Command Signal	0 - 5.00 VDC or 4 - 20 mA
Wetted Material ²	316 SS, Nickel, Viton, 82/18 Au/Ni Braze, Trace Silver Solder, Kalrez®
Connector	15-pin subminiature D (9 pin for 24 Volt)
Fittings	½-in. Swagelok® - 201/203 small, ¾-in. Swagelok® - 201/203 large, 1" Swagelok® - 205/207
Weight (approx.)	203L: 5.2 lb (2360 g), 203K: 5.15 lb (2340g), 207: 14.9 lb (6760 g)

1 Stated accuracy is for nitrogen or other gas specific calibration and using this gas only.

2 Other materials are available. Viton is the standard O-ring option.

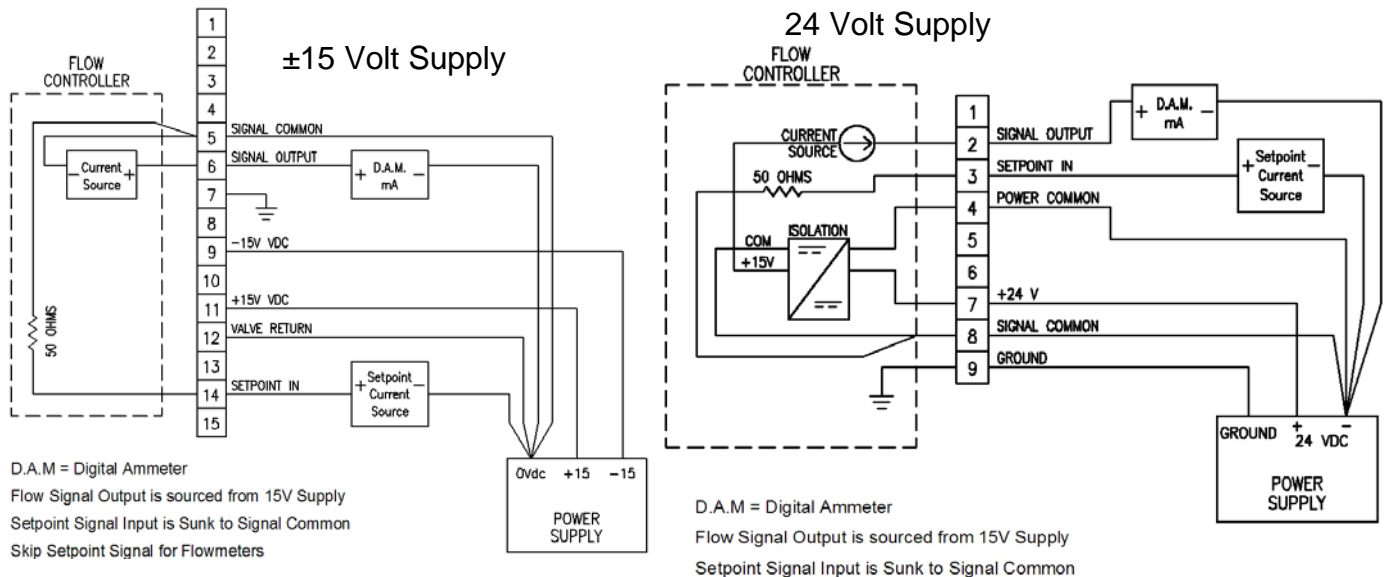
** Consult factory for pressure ranges.*

1.4. Optional 4 - 20 mA Current Output

An option to the standard 0 - 5 VDC output is the 4 - 20 mA current output that is proportional to flow. The 4 - 20 mA signal is produced from the 0 - 5 VDC output of the flow meter. The current loop output is useful for remote applications where pickup noise could substantially affect the stability of the voltage output or long cable runs where cable resistance would cause a voltage signal to decay.

The current loop signal replaces the voltage output on pin 6 of the DA-15 connector (pin 2 of DE-9 24 Volt). The current loop is sourced internally from the +15 VDC supply and must be returned to the signal supply common after (pin 5 [± 15 VDC] or pin 8 [24 VDC]) passing through the monitoring circuitry to complete the loop. The load must be between 0 and 600 Ohm.

The 4 - 20 mA I/O option can accept a current input for flow controllers. The 0 - 5 VDC command signal on pin 14 (pin 3 for 24 Volts) can be replaced by a 4 - 20mA command signal. The loop presents an impedance of 50 Ohms and is returned to the signal common. On the 24 Volt units, the signal common will need to be tied to the power supply common external to the flow controller to complete the loop since the signal common is galvanically isolated internally from the supply common. This line must be current limited (< 50 mA) to prevent short circuit currents from damaging the receiving circuit in the flow controller.



1.5. Other Accessories

1.5.1. Hastings Power Supplies

Hastings power supply/display units are available in one and four channel versions. They convert 100, 115 or 230VAC to the ± 15 VDC required to operate the flow meter and provide a digital indication of the flow rate. Interface terminals for the retransmission of the flow meter analog output signal are located on the rear of the panel.

The THCD-100 and the THPS-100/400 models are built with controllers in mind but will work with meters as well. The Model 40 is for flow meters only. Throughout this manual, when reference is made to a power supply, it is assumed the customer is using a Hastings power supply. Hastings THCD and THPS power supplies are CE marked, but the Model 40 does not meet CE standards at this time. The Model 40, The THCD and THPS-100 are not compatible with 4 - 20 mA analog signals. With the THPS-400, individual channels' input signals, as well as their commands, become 4 - 20 mA compatible when selected. The THPS-400 also sports a Totalizer

feature. More information about Hastings Instruments' power supplies can be found on the Hastings web site. <http://www.teledyne-hi.com/products/powerpod-series.htm>

1.5.2. Interconnecting Cables

Cables are available from Hastings, in various lengths, to connect from the 15 pin "D" connector on the back of Hastings power supplies directly to any of the 200 series and 300 series flow instruments (including digital versions). More information about the available cables can be found in the THPS 400 bulletin on the Hastings web site. <http://www.teledyne-hi.com/pdfs/bulletins.htm>

2. Installation and Operation

This section contains the necessary steps to get a new flow meter/controller into operation as quickly and easily as possible. Please read the following thoroughly before attempting to install the instrument.

2.1. Receiving Inspection

Carefully unpack the Hastings 201/203 series instrument and any accessories that have also been ordered. Inspect for any obvious signs of damage to the shipment. Immediately advise the carrier who delivered the shipment if any damage is suspected. Check each component shipped with the packing list. Insure that all parts are present (i.e., flow meter, power supply, cables, etc.). Optional equipment or accessories will be listed separately on the packing list. There may also be one or more OPT-options on the packing list. These normally refer to special ranges or special gas calibrations. They may also refer to special helium leak tests, or high pressure tests. In most cases, these are not separate parts, but special options or modifications built into the flow meter.

2.2. Power Requirements

The Hastings 200 series flow instruments (bipolar 15 Volt versions) require ± 15 VDC @ ± 30 mA/1 Watt (HFM-201/205) +60 mA, -185 mA / 3 Watts (HFC-203/207) for proper operation. The supply voltage should be sufficiently regulated to no more than 50 mV ripple. The supply voltage can vary from 14.0 to 16.0 VDC. Surge suppressors are recommended to prevent power spikes reaching the instrument. The Hastings power supplies described in Section 1.4.1 satisfy these power requirements.

The Hastings 200 series flow instruments (24 Volt versions) require 14 - 32 VDC @ 1.9 Watts (HFM-201/205) and 4.2 Watts (HFC-20203/207) for proper operation. The supply voltage should be reasonably regulated as power supply ripple may propagate to the output. The supply common is galvanically isolated from the signal common such that this instrument can be powered from a bipolar 15 Volt supply using only the positive and negative output terminal (30 Volts). Surge suppressors are recommended to prevent power spikes reaching the instrument.



Warning:

Attempting to operate the 24 volt version for any significant length of time at a voltage less than the specified minimum voltage will cause the internal DC-DC convertors to fail.

The Hastings 200 series flow instruments have an integral 5 VDC reference source. This stable voltage is on pin 15 of the DA-15 connector (pin 1 of the DE-9 for 24 Volt) and may be used for the command voltage.

2.3. Output Signal

The standard output of the flow meter is a 0 - 5 VDC signal proportional to the flow rate. In the Hastings power supplies, the output is routed to the display and is also available at the terminals on the rear panel. If a Hastings supply is not used, the output is available on pin 6 of the DA-15 connector (pin 2 of the DE-9 for 24 Volt) and is referenced to pin 5 (pin 8 for 24 Volt). It is recommended that the load resistance be no less than 2k Ω . If the optional 4 - 20 mA output is used, the load impedance must be selected in accordance with Section 1.3.

2.4. Mechanical Connections

The flow meter may be mounted in any position as long as the direction of gas flow through the instrument follows the arrow marked on the bottom of the flow meter case label. The preferred orientation is with the inlet and outlet fittings in a horizontal plane (if operating with a dense gas or at high pressures the instrument must be installed horizontally). When mounted in a different orientation the instrument should be re-zeroed at zero flow with the system pressurized to the expected operating pressure.

The smallest of the internal passageways in the Hastings 200 series flow instrument is the diameter of the sensor tube, which is 0.0125" (0.31 mm), so the instrument requires adequate filtering of the gas supply to prevent blockage or clogging of the tube.

The pressure regulator and the plumbing upstream must be of sufficient size to minimize changes in the upstream pressure. When switching from full flow to zero flow, the inlet pressure of the instrument should rise to no more than 30% above the inlet pressure at full flow. In general, high capacity regulators and large internal diameter plumbing help to make the system more stable. The pressure drop between the regulator and the instrument due to line resistance should be minimized. The differential pressure across the unit should be less than 6" of H₂O at maximum flow.

There are two 8-32 threaded holes, 0.25" deep, (1/4-28 threaded holes, 0.375" deep for 205/207) located on the bottom of the base that can be used to secure it to a mounting bracket, if desired (screws provided). Other holes for special mounting can be added to the end cap as desired.

The standard inlet and outlet fittings for the 201/203 are 0.5" and 0.75" Swagelok (optional VCR, VCO, NPT and metric fittings are available). The standard inlet and outlet fittings for the 205/207 are 1" Swagelok (optional VCR, VCO, and metric fittings are available). The O-rings for the end cap and the sensor are Viton (optional Kalrez, Buna-N (Nitrile) or Neoprene is available). It is suggested that all connections be checked for leaks after installation. This can be done by pressurizing the instrument (do not exceed 500 psig unless the flow meter is specifically rated for higher pressures) and applying a diluted soap solution to the tubing connections.

2.5. Electrical Connections

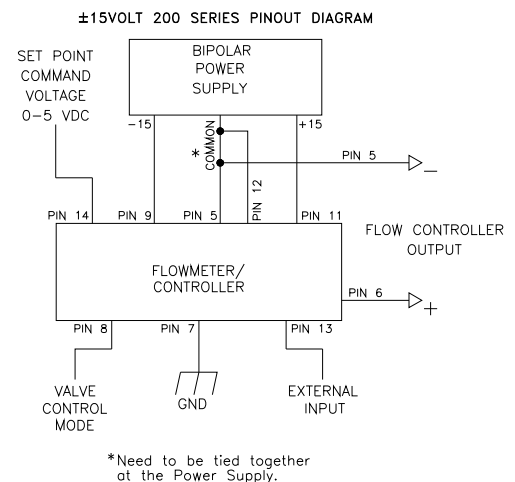
If a power supply from Hastings Instruments is used with a 15 Volt version of the HFM-200/HFC-202, installation consists of connecting the 200 series cable (#AF-8AM) from the "D" connector on the rear of the power supply to the "D" connector on the top of the flow meter. If a different power supply is used, follow the instructions below when connecting the flow meter.

Bipolar (± 15 Volt) Power Supply to Bipolar Connections

Connecting the Hastings 200 series flow instrument with anything other than the prescribed cables and power supplies discussed above, can severely damage the instrument and void the warranty. The figure at the right of this page shows the schematic layout for connecting the instrument to an appropriate ± 15 Volt power supply.

The power supply used must be meet the power requirements delineated in section 2.2 (Power Requirements) above. If a bipolar supply is required, the voltages must be referenced to a common ground.

Connect -15VDC to pin 9 of the DA-15 connector and +15VDC to pin 11. Pins 5 and 12 are both commons and they must be connected together and to



PINOUTS	
PIN #	
1	Do Not Use
2	Do Not Use
3	Do Not Use
4	Do Not Use
5	Signal Common
6	Signal Output 0-5 VDC (4-20mA)
7	Case Ground
8	Control Valve Over-ride
9	-15 VDC
10	Do Not Use
11	+15 VDC
12	Valve Return
13	External Input
14	Set Point 0-5 VDC (4-20mA)
15	Do Not Use

the ground connection at the power supply. Do not connect them together at the flow controller as the resulting crosstalk could result in flow instabilities.

24 Volt Connections

Refer to the diagram at right when connecting 24 Volt units.

Connect the positive lead of the power supply to pin 7 of the DE-9 connector and negative lead to pin 4. The supply input is diode protected such that reversing the input polarity will not damage the instrument. The power supply is galvanically isolated from all other pins.

General Connection Notes

Pin 7 of the DA-15 (15 Volt), Pin 9 of the DE-9 (24 Volt) is the case ground. It should be connected to the cable shield if available and to the AC ground to the power supply.

Pin 6 of the DA-15 (15 Volt), Pin 2 of the DE-9 (24 Volt) is the output signal from the flow controller. This output will be 0-5VDC/(4-20 mA), 5VDC/20mA being 100% of rated or full flow. Pin 14 of the DA-15 (15 Volt), Pin 3 of the DE-9 (24 Volt) is the command input. This should be a 0-5VDC or (4-20 mA) signal and must be free of spikes or other electrical noise, as these will generate false flow commands that the controller would attempt to flow. Pin 15 of the DA-15 (15 Volt), Pin 1 of the DE-9 (24 Volt) is a regulated +5.00VDC output reference that is normally adjusted to 5.01VDC so that the user can achieve full scale command set point. The reference is designed to provide the command signal for pin 14 by connecting one end of a potentiometer to the voltage reference and the other end to ground. The center lead would then be connected to setpoint input.

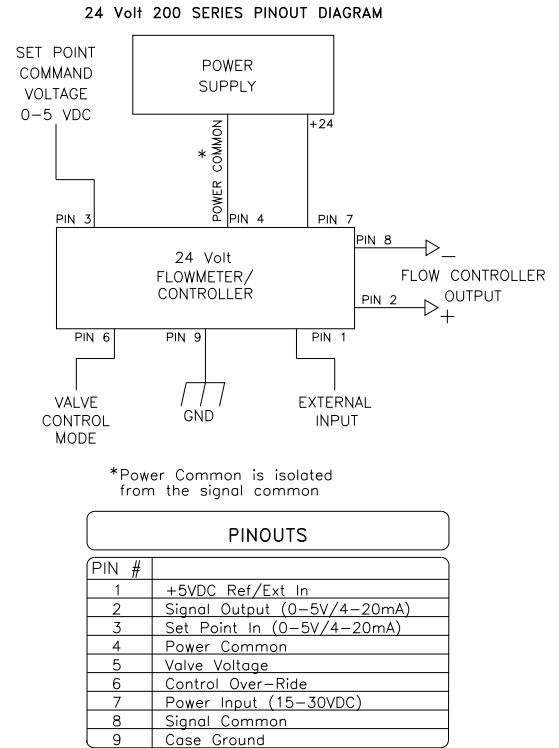
If a valve override switch is not desired, the unit is ready for use at this time. If the override switch is desired, connect the center pin of a single pole, three-position switch with the center off position to pin 8 of the DA-15 (15 Volt), Pin 6 of the DE-9 (24 Volt). Connect a voltage source >10 VDC to one end of the switch, and negative voltage to the other end. This will result in the valve being full open when the positive is supplied to the override pin, off when the negative voltage is supplied and auto-control when there is no connection to the valve override pin (OPEN-AUTO-CLOSE). This setup will be adequate for most purposes, but there will be a small delay for capacitors to charge between switch operation and control override.

2.6. Operation

The standard instrument output is a 0 - 5 VDC out and the signal is proportional to the flow i.e., 0 Volts = zero flow and 5 Volts = 100% of rated flow. The 4 - 20 mA option is also proportional to flow, 4 mA = zero flow and 20 mA = 100% of rated flow. It is suggested that all connections be checked for leaks after installation. This can be done by pressurizing the instrument (do not exceed 500 psig unless the instrument is specifically rated for higher pressures) and applying a diluted soap solution to the connections.

2.6.1. Operating Conditions

For proper operation, the combination of ambient temperature and gas temperature must be such that the flow meter temperature remains between 0 and 50°C. (Most accurate measurement of flow will be obtained if the flow meter is zeroed at operating temperature as temperature shifts result in



some zero offset.) The 201/203 series is intended for use in non-condensing environments only. Condensate or any other liquids which enter the flow meter may destroy its electronic components.

2.6.2. Zero Check

Turn the power supply on if not already energized. Allow for a 1 hour warm-up. Stop all flow through the instrument and wait 2 minutes. Caution: Do not assume that all metering valves completely shut off the flow. Even a slight leakage will cause an indication on the meter and an apparent zero shift. For the standard 0 - 5 VDC output, adjust the zero potentiometer located on the lower outlet side of the flow meter until the meter indicates zero. For the optional 4 - 20 mA output, adjust the zero potentiometer so that the meter indicates slightly more than 4 mA, i.e. 4.03 to 4.05 mA. This slight positive adjustment ensures that the 4 - 20 mA current loop transmitter is not in the cut-off region. The error induced by this adjustment is approximately 0.3% of full scale. This zero should be checked periodically during normal operation. Zero adjustment is required if there is a change in ambient temperature, or vertical orientation of the flow meter/controller.

2.6.3. High Pressure/High Density Operation

When operating at high pressure or with high density gases, the increased density of gas will cause natural convection to flow through the sensor tube if the instrument is not mounted in a level position. This natural convection flow will be proportional to the system pressure. This will be seen as a shift in the zero flow output that is directly proportional to the system pressure. This zero shift can usually be corrected by adjusting the zero potentiometer after mounting the flow controller in its final operating position. See section 2.4 and 2.6.2.

Additionally, because the specific heat of a gas changes with pressure, an associated error is introduced with increased pressure. It is directly proportional to the change in specific heat versus pressure for that particular gas. For helium, there is virtually no change in indicated output; for nitrogen, the indicated output will increase at approximately 0.0067%/psi, which is the pressure coefficient. Thus,

$$\text{Actual flow} = \text{indicated flow} / (1 + \text{pressure} * \text{pressure coefficient})$$

2.6.4. Blending of Gases

In the blending of two gases, it is possible to maintain a fixed ratio of one gas to another. In this case, the output of one flow controller is used as the reference voltage for the set point potentiometer of a second flow controller. The set point potentiometer then provides a control signal that is proportional to the output signal of the first flow controller, and hence controls the flow rate of the second gas as a percentage of the flow rate of the first gas.

EXAMPLE: Flow controller A has 0 - 100 slm range with a 5.00 Volt output at full scale. Flow controller B has 0 - 10 slm range with a 5.00 Volt output at full scale. If flow controller A is set at 80 slm, its output voltage would be 4.00 Volts (80 slm/100 slm x 5.00 Volts = 4.00 Volts). If the output signal from flow controller A is connected to the command potentiometer of flow controller B, it then becomes a variable reference voltage for flow controller B proportional to the flow rate of flow controller A.

If the set point potentiometer of flow controller B is set at 50% of full scale, and the reference voltage from flow controller A is 4.00, then the command signal going to flow controller B would be 2.00 Volts (4.00 Volts x 50.0% = 2.00 Volts). The flow of gas through flow controller B is then controlled at 4 slm (2.00 Volts/5.00 Volts x 10 slm = 4 slm).

The ratio of the two gases is 20:1 (80 slm/4slm). The % mixture of gas A is 95.2 (80slm/84slm and the % mixture of gas B is 4.8% (4 slm/84 slm).

Should the flow of flow controller A drop to 78 slm, flow controller B would drop to 3.9 slm, hence maintaining the same ratio of the mixture. (78 slm/100 slm x 5 Volts = 3.90 Volts x 50% = 1.95 Volts; 1.95 Volts /5.00 Volts x 10 slm = 3.9 slm; 78 slm: 3.9 slm = 20:1)

2.6.5. Operation with a Hastings power supply.

There are two controls for each flow controller connected to a Hastings power supply. A switch labeled “OPEN; AUTO; CLOSED” (valve override THPS 400 only) and a potentiometer labeled “COMMAND”. For normal operation, the valve override switch will be in the “AUTO” position. The “CLOSE” position removes all power from the valve, shutting off flow regardless of the command pot setting. The “OPEN” position applies full available valve voltage to the valve, causing it to open, regardless of the command pot setting. The “OPEN” position is useful for purging systems. It is recommended that the valve override switch not be left in this position for extended periods of time, with no flow through the controller, as a small positive zero shift may be observed.

The “COMMAND” pot adjusts the Analog command signal sent to the flow controller. The setting for each controller connected to the power supply can be observed. (Depending on how the power supply was set up, the display could indicate in flow units or percent of full scale).

Hastings Power Supply Feature Guide			
Feature	Model 40	Power Pod 100	Power Pod 400
Digital Readout	✓	✓	✓
± 15 Volts	✓	✓	✓
Analog Outputs	✓	✓	✓
Controller		✓	✓
Analog Control	✓		
Front Panel Override	✓		✓
Totalizer			✓
4 -20 mA	✓		✓
Ratio Control			✓
Alarms	✓	✓	✓
Multi-Channel Display			✓
Conversion Factors	✓	✓	✓
Communications		RS232	RS232/RS485

2.6.6. Operation with a power supply other than a Hastings.

The flow controller must be connected to the power source as specified in section 2.6. In general, a 0 - 5 VDC command signal proportional to the intended flow (0 Volts = zero flow; 5 Volts = 100% of rated flow) must be applied to pin 14 of the DA-15 (±15 Volt), Pin 3 of the DE-9 (24 Volt) connector. A 0 - 5 VDC signal proportional to the flow rate through the instrument will be present on pin 6 of the DA-15 (±15 Volt), Pin 2 of the DE-9 (24 Volt) connector. The control mode is selected via pin 8 of the DA-15 (±15 Volt), Pin 6 of the DE-9 (24 Volt) connector. Apply >10 Volts for full open, < 0 Volts for closed and allow the override to float for flow proportional to the command voltage. Refer to your power supply manual for the specifics of implementing these parameters.

2.6.7. Operation with an external sensor. (Fig. 2.2)

In some instances, it might be desirable to use an external sensor to provide process information to the control circuitry in the flow controller. For example, you might want to control the pressure in a vacuum system by adjusting the rate at which the system is backfilled with a gas. The new, enhanced HFC series of flow controllers have provision for accepting a 0 - 5VDC (or 0 - 10 VDC) output from an external sensor at pin 13 of the DA-15 (± 15 Volt), Pin 1 of the DE-9 (24 Volt) connector. To activate this feature, the cover of the HFC must be removed to gain access to the electronics card and move a jumper.

For the 15 Volts units JP1 is a three pin jumper block located just below the “D” connector. In the normal operating mode, the jumper covers the bottom two pins. To select “External Sensor”, move the jumper to the upper two pins. This swaps the flow input to the controller circuit from the flow meter output to pin 13 of the “DA-15” connector.

For the 24 Volt units JP6 is a six pin jumper block located just to the right of the sensor connector. Pin 1 is in the lower right corner. There are three jumpers installed horizontally. The bottom jumper ties the flow output to the valve control circuit and the middle jumper ties Pin 1 of the DE-9 connector to reference voltage circuit. Remove both of the lower two jumpers and reinstall one jumper vertically between the outside two pins (pins 1 & 3). This will tie Pin 1 of the DE-9 connector to the valve control circuit and allow the controller to maintain the external process variable equal to the desired setpoint. The 5 Volt reference is not available in this configuration.

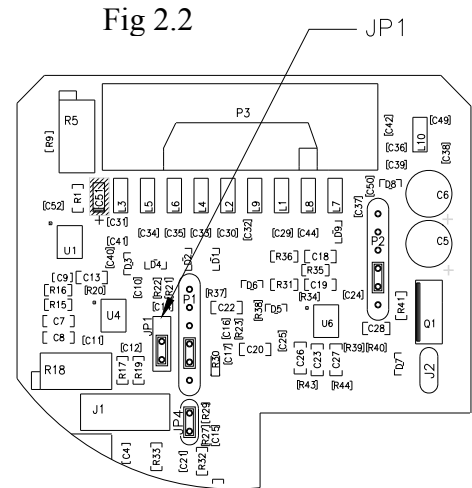
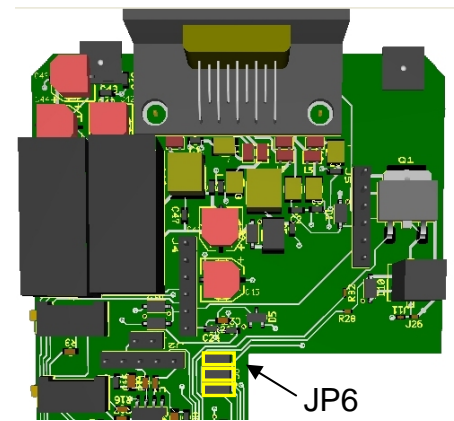


Fig 2.3

2.6.8. Response to Command Changes

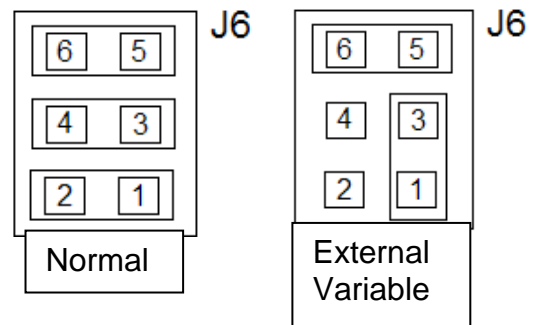
The response of the control circuit to changes to the command signal is set at the factory for fast, stable response. If excessive overshoot is present, the response can be slowed removing the jumper labeled “JP4,” located in the center of PC-828 for the 15 Volt units or by removing the top jumper of JP6 for the 24 Volt boards (located to the right of the sensor connector).



The fastest response to command changes is obtained when JP4/JP6 is covered by the jumper. This setup allows large overshoot and undershoot swings in the actual flow rate while the control circuit is establishing control at the new command point. A slower response to command changes is obtained when JP4/JP6 is not covered by a jumper. This setup results in no overshoot or undershoot in the actual flow rate as the controller circuit establishes control at the new command point. This jumper does not affect the system gain and will not dampen out oscillations.

To adjust the response, you need a means of producing a step change in the command voltage from 10% of full scale to 100% of full scale. Follow the steps outlined below:

- 1) Cover the pins of JP4/JP6 with a jumper. (see fig. 2.2 & fig 2.3)
- 2) Set the command voltage to 10% of full scale. Allow the flow to stabilize.



- 3) Step change the command voltage to 100%, and observe the flow through the controller. If the overshoot is too large, remove the jumper. Reset the command voltage to 10%, and allow the controller to stabilize.
- 4) To prevent loss of the unused jumper, place it over one pin only on JP4/JP6.

2.6.9. Operating Temperature

For proper operation, the combination of ambient temperature and gas temperature must be such that the Flowcontroller temperature remains between 0 and 50°C. Most accurate measurement of flow will be obtained if the flow controller is re-zeroed at operating temperature, as temperature shifts result in some zero offset.

2.7. Range Changing:

The range of the flow controller can be changed in the field if recalibration facilities are available. The flow controller may require a different orifice, which can be purchased separately from the factory. A listing of the orifices available and their flow rates can be found in Section 5.0. The instructions to change the flow range can be found in Section 4.6.

2.8. Valve-Override Control

The valve override control line provides a method to override the loop controller and open or close the valve regardless of the flow or command signals. During normal operation this line must be allowed to float freely. This will allow the loop control to open and close the valve as it requires. If the valve override line is forced high ($> +10$ Volts) the valve will be forced full open. If the valve-override line is forced negative (< 0 Volts) the valve will be forced closed.

3. Theory of Operation

This section contains an overall functional description of HFC Flow Controllers. Detailed schematics and parts lists can be found at the end of the manual in Section 6.0. In this section and other sections throughout this manual, when a power supply is mentioned, it is assumed that the customer has a Hastings Power Supply. These sections are not applicable if another type of power supply is used.

3.1. Overall Functional Description:

The HFC Flow Controller consists of a sensor, electronic circuitry, a shunt and a valve. The sensor measures the flow rate from 0 to 10 scfm of the gas to be metered. The shunt divides the flow such that the flow through the sensor is a precise percentage of the flow through the shunt. The flow through the sensor and the shunt is always laminar. The circuit board amplifies the sensor output and uses this output to control the valve position. The 2 stage valve employs an automatic metering solenoid, used to control the pressure differential across the main diaphragm seat assembly. All of these components working together result in a fast, stable flow controller.

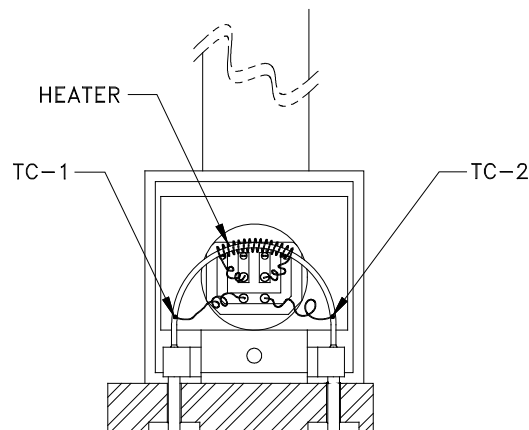


FIG 3.1

3.2. Sensor:

The Hastings HFM-201/HFC-203 series instruments operate on a unique thermal electric principle whereby a metallic capillary tube is heated uniformly by a resistance winding attached to the midpoint of the capillary (see Figure 3.1). Thermocouples TC-1 and TC-2 are welded at equal distances from the midpoint and develop equal outputs at zero flow.

When flow occurs through the tubing, heat is transferred from the tube to the gas on the inlet side, and from the gas back to the tube on the outlet side creating an asymmetrical temperature distribution (see Figure 3.2). The thermocouples sense this decrease and increase in the capillary tube temperature and produce a millivolt output signal proportional to that change.

For a constant power input, the differential thermocouple output is a function of the mass flow rate and the heat capacity of the gas. Since the heat capacity of many gases is relatively constant over wide ranges of temperature and pressure, the flow meter may be calibrated directly in mass units for those gases. Changes in gas composition usually only require application of a simple multiplier to the air calibration to account for the difference in heat capacity and thus the flow meter is capable of measuring a wide variety of gases. The HFM sensor measures approximately 10 scfm, full scale flow.

3.3. Electronics:

The HFM-201/HFC-203 series instruments use a thermal flow sensor to measure through a capillary tube, which is a fixed percentage of the total flow through the instrument. This sensor develops an output signal proportional to flow which is approximately 1 mv full scale magnitude. This signal is amplified by the meter circuitry until it is 0-5.00 VDC. This 5 Volt output is sent back to the power supply and to the flow meter circuitry, if applicable. At the power supply the 5 Volt

output is sent to the terminals on the back and to the decoding circuitry in the display which converts it to a 3-digit output.

The controller circuitry utilizes the Command and the Flow voltages as input signals. The 0 - 5VDC command signal is subtracted from the 0 - 5VDC flow signal creating an error signal. This signal is amplified and causes the solenoid valve to move. The amount and direction of the movement is dependent upon the value and the sign of the error signal, and tends to minimize the error signal.

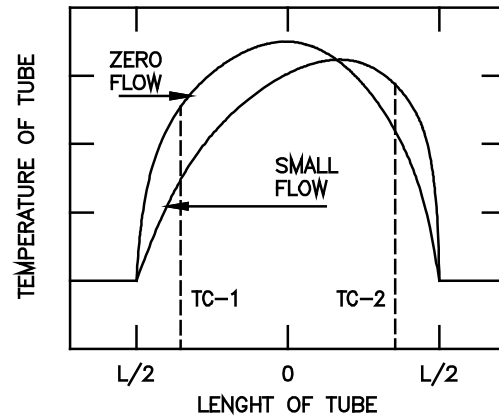


FIG 3.2

3.4. Shunt:

Measurement of flow rates higher than the 10 sccm full scale is achieved by dividing the flow with a fixed ratio shunting arrangement, as is illustrated in Figure 3.3. This is accomplished by placing the measuring capillary tube parallel with one or more dimensionally similar channels, called a laminar flow element (LFE). Therefore, the sensor only needs to heat the gas passing through the capillary tube resulting in low power requirements, while retaining all the mass measuring characteristics.

The HFC-203 uses corrugated and fused shunts similar to the shunts used in the lower flow range instruments. These high range shunts are factory adjustable from 0 - 30 slm to 0 - 500 slm (see Figure 3.4), using specific corrugated shunts that give the desired flow range.

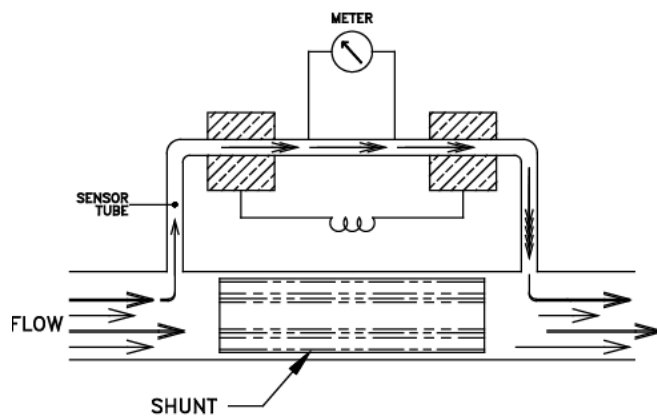
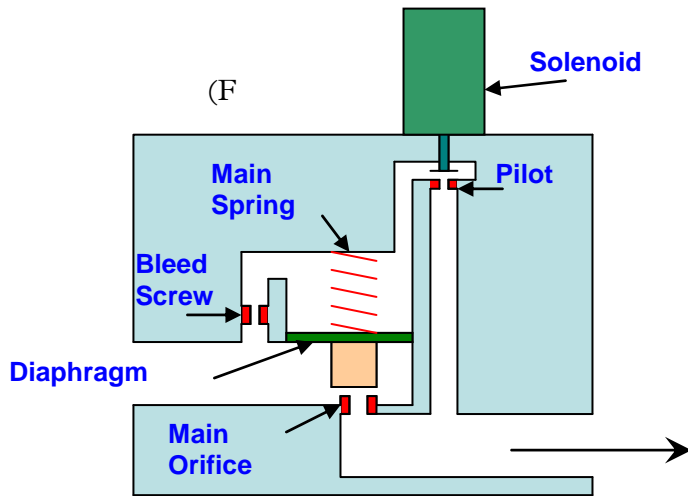


FIG 3.3

3.5. Valve:

A solenoid valve is used as a pilot valve to control a much larger pneumatic diaphragm valve. The pilot valve is an “automatic metering solenoid” valve. While most solenoids operate in either the fully open or fully closed state, the automatic metering solenoid valve is designed to control flow (see Figure 3.5). A spring, connected to the plunger assembly, holds a magnetic plunger tightly against an orifice to shut off flow. The magnetic plunger is surrounded by an electrical coil, which when energized with electrical current lifts the plunger off the orifice and allows flow to pass between the orifice and the plunger seat. Controlling the current through the coil controls the distance between the orifice and the plunger seat, thus effectively controlling the flow through the valve.



The main valve used in the HFC-203/207 is a pilot operated pneumatic valve. The main pneumatic valve uses a diaphragm to control the height of the main seat above the orifice.

The diaphragm position is controlled by balancing competing forces from the main spring and the pressure difference between the valve upstream pressure and the pressure in the bonnet chamber.

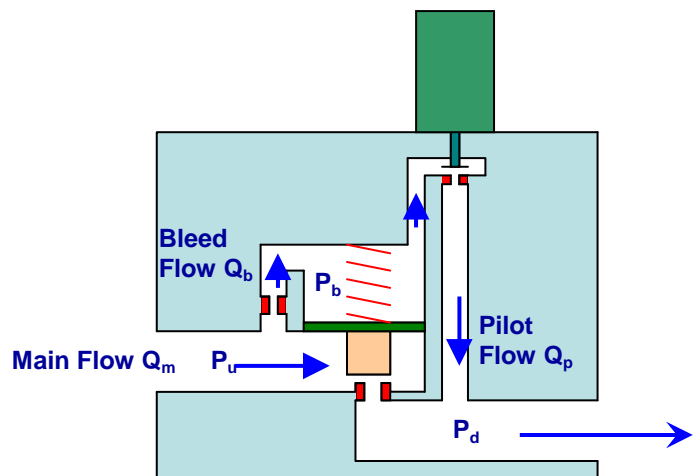
The bonnet pressure is controlled by the solenoid operated pilot valve. When pressure is first applied and the pilot valve is closed, system pressure P_u is much higher than the bonnet pressure P_b . P_u will push up the diaphragm against P_b and the main flow

will initiate. Flow through the restriction of the bleed screw Q_b will also initiate. Since Q_b is flowing into the bonnet chamber and the pilot flow Q_p is shut off this will pressurize the bonnet chamber and P_b will rise. When the force due to the pressure difference across the diaphragm is balanced by the closing force from the main spring, the main valve will close.

In order to open the valve, power is applied to the solenoid. The generated magnetic field attracts the plunger toward the pole against spring force. Flow initiates through the pilot valve Q_p . When the pilot flow exceeds the bleed screw flow the pressure in the bonnet chamber will start to drop.

When the force due to the pressure difference across the diaphragm exceeds the closing spring force then the diaphragm will start to lift. As the diaphragm moves up it will open the main valve and allow flow through the main orifice.

The control loop maintains sufficient power to the solenoid to keep the pilot valve flow equal to the bleed screw flow when the bonnet pressure is at the right level to hold the diaphragm high enough that the desired flow passes through the main valve.



4. Maintenance

This section contains service and calibration information. Some portions of the instrument are delicate. Use extreme care when servicing the flow controller. The potentiometer positions and the electrical components referred to in the troubleshooting section can be found in Section 6.0 on the electrical component layout drawing.

4.1. Authorized Maintenance

With proper care in installation and use, the flow controller will require little or no maintenance. If maintenance does become necessary, most of the instrument can be cleaned or repaired in the field. Some procedures may require recalibration. Do not attempt these procedures unless facilities are available. Entry into the sensor or tampering with the printed circuit board will void warranty. Do not perform repairs on these assemblies while unit is still under warranty.

4.2. Troubleshooting

SYMPTOM: Override switch is in CLOSE position, but flow remains or 0.00 VDC is commanded and flow remains.

CAUSE: Orifice out of adjustment or faulty op-amp

ACTION: Check the valve voltage between pins 2 & 12 on the 15-pin D-connector for 15 Volt units and pins 5 & 8 on the DE-9 connector for 24 Volts. If the voltage is less than 3.00 VDC, then turn the orifice clockwise until flow stops.

SYMPTOM: Output of unit is proportional to flow but extremely small and not correctable by span pot.

CAUSE: Sensor is not being heated.

ACTION: Unplug connector J2. Check the following resistance: The resistance between pins 2 & 3 of the sensor should be approximately 2500 ohms (see Figure 3.1 on page 8). The resistance between pins 1 & 4 should be approximately 2.3 ohms. The resistance between pins 2 & 3 and the base of the sensor should be essentially infinite. If not, replace the sensor unit. If sensor reads O.K., check the voltage output on pins 2 & 3 of the jack in the board. If it does not read approximately 22 VDC then replace op-amp U2 (U3 on 24 Volt board).

SYMPTOM: Sensor has proper resistance readings, but little or no output with flow.

CAUSE: Plugged sensor.

ACTION: Shut off gas supply and power supply. Remove cover and PC board from unit. Remove sensor assembly and examine. If sensor has evidence of plugging, clean or replace as applicable

SYMPTOM: Flow controller oscillates.

CAUSE: Flow controller not adjusted for the dynamics of the flow system.

ACTION: Check upstream and downstream pressures. The gas supply regulator should not have excessive lockup when flow shuts off. Also ensure that there is not a large drop in pressure between the regulator and the instrument due to line resistance. Oscillations can also be caused if a large flow

restriction is pneumatically close to the downstream end of the flow controller. The differential pressure across the unit must be between 10-50 psig.

SYMPTOM: Little or no flow, even with Valve Override switch OPEN.

CAUSE: Plugged orifice.

ACTION: Verify the presence of a 10-50 psig pressure across the instrument. If present, shut off gas supply and power supply. Remove orifice per Section 4.9. Examine orifice. If plugged, clean or replace as applicable. Reassemble valve.

SYMPTOM: Flow meter reads other than 0.00 VDC with no flow, or there is a small flow when flow meter reads 0.00 VDC.

CAUSE: ZERO potentiometer is out of adjustment.

ACTION: Shut off all flow. Adjust ZERO potentiometer until output reads 0.00 VDC.

SYMPTOM: Flow meter out of calibration and nonlinear.

CAUSE: Leaks in gas inlet or outlet fittings.

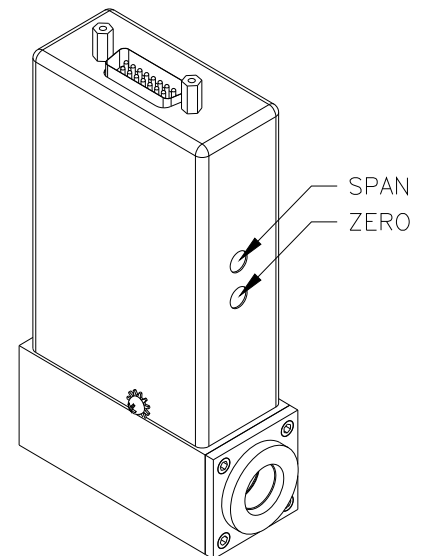
ACTION: Check all fittings for leaks by placing soap solution on all fittings between gas supply and final destination of gas. Check flow meter for leaks. Replace “O” rings if required or recalibrate as necessary.

4.3. Adjustments

4.3.1. Calibration Procedure: (Figure 4.1)

NOTE: Adjusting the SPAN pot will require the use of a calibration reference in Step 5.

- 1) Connect power cable to D connector as specified in Section 2.7. Allow instrument to warm up for 30 minutes with 10% flow and instrument in AUTO position.
- 2) Set ZERO (R13 on 15 Volt, R20 for 24 Volt) potentiometer for 0.000 VDC output.
- 3) Turn on gas supply to inlet of instrument. Put Valve Override switch into CLOSE position. Adjust the orifice underneath controller to obtain zero flow. Put Valve Override switch into AUTO. Ensure that full range flow can still be obtained at minimum inlet pressure.
- 4) Set command to 100%. Adjust SPAN (R18 on 15 Volt, R2 for 24 Volt) pot until the flow reference reads full scale flow (5.000 VDC). NOTE: Perform this step only if a calibrated reference flow meter is available.
- 5) Record flow meter and flow reference outputs for flow rates of 20%, 40%, 60%, 80% and 100%.



4.3.2. Miscellaneous adjustments

Periodically, during normal operation, the ZERO should be checked and adjusted when required. If system parameters change, the RESPONSE pot may require a small adjustment for optimum

stability. If the instrument is not shutting completely off when Valve Override switch is in the CLOSE position, the orifice may require approximately 1/8 turn clockwise.

4.4. End Cap Removal:

The end cap on the inlet side must be removed to gain access to the filter or shunt assembly. First shut off the supply of gas to the instrument. Disconnect the Swagelok fitting on the inlet and outlet sides of the transducer, and remove it from the system plumbing. Remove the four hex bolts holding the end cap to the instrument (see Figure 4.1). Carefully remove the end cap, filter, wave spring (if present) and shunt, noting their order and proper orientation. The shunt can be severely damaged if dropped. Examine the filter and shunt. If either is dirty or blocked, clean or replace as applicable. Reassembly is the reverse of the removal procedure. Recalibration of the HFC is necessary.

4.5. Printed Circuit Board Replacement

In the unlikely event that the PC board fails, it is easily removed from the instrument and replaced with a spare to minimize instrument downtime. Replacement of the PC board will require the instrument to be recalibrated per Section 4.4.1.

Unplug the power cable from the top of the transducer. Remove the two jackscrews next to the “D” connector and the two screws on the sides of the cover. Lift off the cover and unplug the four-wire sensor plug and the two wire valve plug, noting their orientation prior to removal.

Remove the screw that holds the PC board to the sensor. Troubleshoot or replace as applicable. Installation is the reverse of the above procedure. Recalibrate if any components were changed or if any potentiometers were adjusted.

4.6. Sensor Replacement:

If the sensor fails or becomes plugged it can be removed. Remove the cover and the PC board per Section 4.7 above. Remove the three bolts holding the sensor to the instrument base. Remove the sensor from the base noting the two O-rings (Parker 2-005, V884-75) between the sensor and the base. If the sensor is plugged it can be cleaned by running a fine wire (approximately 0.008" diameter) through the tube. If sensor needs replacement, obtain another from the factory and install it. Ensure that O-rings are clean and intact. Install O-rings on seating surface, then carefully place sensor over O-rings and tighten down the three screws evenly. Replacement of sensor will require recalibration per Section 4.3.1.

4.7. Orifice Changes:

The orifice may require replacement if a large flow range change is desired, if changing to a gas that has a specific gravity significantly different than the original gas, if a large change in the differential pressures across the valve is desired or in the event that a small orifice becomes plugged. Replacement orifices can be acquired from the factory. The diameter of the orifice can be calculated using the following procedure:

Orifice Changes:

A) Determine the minimum expected upstream pressure (P_u) in absolute pressure units (add atmospheric pressure – 14.7 psia) and the maximum expected downstream pressure (P_d) in absolute pressure units for full flow conditions.

B) If $P_u > 2P_d$, use formula 1; otherwise use formula 2.

C) Use a consistent set of units for pressure, flow, and density (i.e all lengths, masses, times in the same units, cm, ft, kg, sec etc.) 1 liter/minute = 1.667×10^{-5} m³/sec, 1 gm/liter = 1 kg/m³, 1 psia = 6895 kg/m³sec², 1 Pa = 1 kg/m³sec²,

D) This formula provides approximate results that tend to be undersized because it neglects pressure drops internal to the flow controller, compressible gas effects and temperature effects. Multiply the result by ≈ 1.5 to get the expected minimum orifice size that can reliably pass the desired flows at the expected pressures.

Where:

Formula 1:

$$D = \sqrt[4]{\frac{Q^2 \sigma 16 \rho_0 P_0}{P_u^2 \gamma \pi^2}}$$

Formula 2:

$$D = \sqrt[4]{\frac{\sigma Q^2}{P_d (P_u - P_d)} \frac{8 \rho_0 P_0}{\pi^2}}$$

D = Orifice Diameter

Q = Flow rate in standard volumetric unit (slm, sccm, scfh)

P_0 = Standard Pressure (760 Torr, 101.325 kpa)

P_u = Upstream pressure in absolute units (use minimum expected value)

P_d = Downstream pressure in absolute units (use maximum expected value)

γ = Ratio of specific heats, ≈ 1.2 for monatomic gases, 1.4 otherwise

ρ_0 = Density of gas @ standard pressure and temperature of flow unit

π = Pi (3.1415...)

σ = Specific gravity of gas (ratio of gas density to density of air)

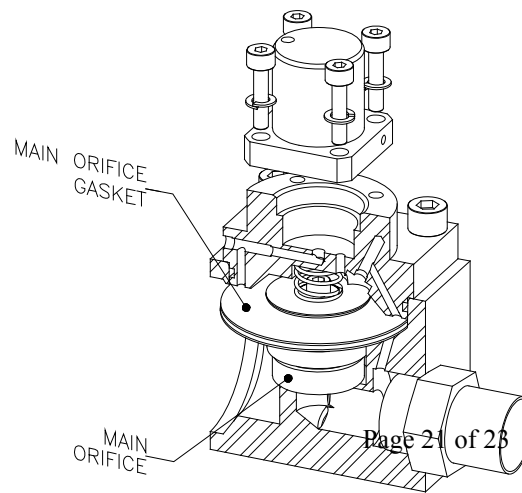
Choose the available orifice with the closest diameter that is larger than the calculated diameter. Orifice diameters (inches) available are 0.023, 0.032, 0.046, 0.086, 0.130, 0.156, 0.250, 0.312, 0.375, 0.500 (large base only). Contact factory to order new orifice.

As an example, if the maximum controlled flow will be 1000 slm of air with an upstream pressure of 50 psig and exhausting to atmospheric pressure the minimum orifice diameter calculated from the previous equation would be 0.225 inches. The next larger orifice that has a diameter of 0.250 inches should be installed.

4.7.1. HFC-203 Orifice

To change the orifice in the HFC-203 unit, the valve must be dismantled. Remove the four 1/4" Allen head machine screws in the top of the main valve. Lift off the valve top, exposing the spring and diaphragm. Note that a small brazed ball bearing is on the down stream side of the valve top. Remove the spring and diaphragm assembly. The orifice is located in the bottom of the valve body and can be removed with a 9/16 socket wrench. See Figure 4.5.

To reinstall an orifice, first install the gasket onto the orifice (replacement gaskets can be obtained from the factory). Next screw the orifice into the valve base. Snug up the orifice but do not over tighten. Place diaphragm assembly into the base. Line up the two small holes in the diaphragm with the two small holes in the valve base. Place the spring on top of the



diaphragm. Examine the o-ring on the valve top for damage if required. Install the valve top, ensuring that the ball bearing in the side is on the downstream side. Tighten down the valve top evenly to insure a proper seal at the diaphragm.

5. WARRANTY

5.1. Warranty Repair Policy

Hastings Instruments warrants this product for a period of one year from the date of shipment to be free from defects in material and workmanship. This warranty does not apply to defects or failures resulting from unauthorized modification, misuse or mishandling of the product. This warranty does not apply to batteries or other expendable parts, or to damage caused by leaking batteries or any similar occurrence. This warranty does not apply to any instrument which has had a tamper seal removed or broken.

This warranty is in lieu of all other warranties, expressed or implied, including any implied warranty as to fitness for a particular use. Hastings Instruments shall not be liable for any indirect or consequential damages.

Hastings Instruments, will, at its option, repair, replace or refund the selling price of the product if Hastings Instruments determines, in good faith, that it is defective in materials or workmanship during the warranty period. Defective instruments should be returned to Hastings Instruments, **shipment prepaid**, together with a written statement of the problem and a Return Material Authorization (RMA) number.

Please consult the factory for your RMA number before returning any product for repair. Collect freight will not be accepted.

5.2. Non-Warranty Repair Policy

Any product returned for a non-warranty repair must be accompanied by a purchase order, RMA form and a written description of the problem with the instrument. If the repair cost is higher, you will be contacted for authorization before we proceed with any repairs. If you then choose not to have the product repaired, a minimum will be charged to cover the processing and inspection. Please consult the factory for your RMA number before returning any product repair.

TELEDYNE HASTINGS INSTRUMENTS
804 NEWCOMBE AVENUE
HAMPTON, VIRGINIA 23669 U.S.A.
ATTENTION: REPAIR DEPARTMENT

TELEPHONE	(757) 723-6531
TOLL FREE	1-800-950-2468
FAX	(757) 723-3925
E MAIL	hastings_instruments@teledyne.com
INTERNET ADDRESS	http://www.teledyne-hi.com

Repair Forms may be obtained from the “Information Request” section of the Hastings Instruments web site.